

Dynapac CC3800

Double drum vibratory rollers



Technical data



Masses

Max. operating mass	10700 kg
Operating mass (incl. ROPS)	9400 kg
Operating mass (incl. Cab)	9600 kg
Module mass (front/rear)	4700 kg/4700 kg



Traction

Speed range	0 -12 km/h
Vertical oscillation	±7
Max. theoretical gradeability	33 %



Compaction

Centrifugal force (high/low amplitude)	90 kN/75 kN
Nominal amplitude (high/low)	0.7 mm/0.3 mm
Static linear load (front/rear)	27.2/27.2 kg/cm
Vibration frequency (high/low amplitude)	48 Hz/67 Hz
Water tank volume	750 l



Engine

Manufacturer/Model	Cummins QSB 3.3 IIIA/T3
Type	Water cooled turbo Diesel
Rated power, SAE J1995	74 kW (99 hp) @ 2,200 U/Min.
Fuel tank capacity	130 l



Hydraulic system

Driving	Axial piston pump with variable displacement. Axial piston motors (2) with variable displacement.
Vibration	Axial piston pumps(2) with variable displacem. Axial piston motors(2) with const. displacem.
Steering	Gear pump with constant displacem.
Service brake	Hydrostatic in forward and reverse lever.
Parking/ Emergency brake	Failsafe multidisc brake in both drums.

Find us locally at www.dynapac.com

We reserve the right to change specifications without notice. Photos and illustrations do not always show standard versions of machines.
The above information is a general description only, all informations are supplied without liability.

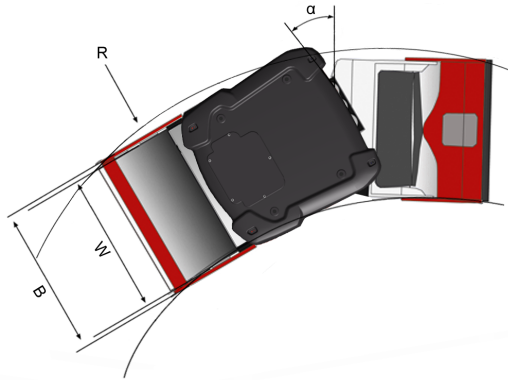
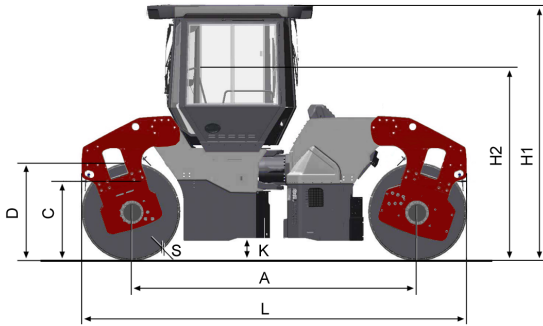
dynapac_cc3800_en-20220228.083401.pdf 2022-02-28 08:34

Dynapac CC3800

Double drum vibratory rollers



Technical data



Dimensions	
A. Wheelbase	3340 mm
B. Width	1940 mm
C. Curb clearance	715 mm
D. Drum diameter	1150 mm
H1. Height, with ROPS/cab	2990 mm
K. Ground clearance	270 mm
L. Length	4490 mm
R. Turning radius, outside	6690 mm
S. Drum shell thickness	20 mm
W. Drum width	1730 mm
α . Steering angle	$\pm 32^\circ$



Optional equipment

Air Conditioning /Automatic Climate Control (ACC) (Optional)

- The system contains fluorinated greenhouse gases.
- Coolant designation: HFC-134a
- Coolant weight when full: 1,35 kg
- CO₂-equivalent: 1,930 ton
- GWP: 1430

Find us locally at www.dynapac.com

We reserve the right to change specifications without notice. Photos and illustrations do not always show standard versions of machines. The above information is a general description only, all informations are supplied without liability.